

aquatica®

Function : Form : Fashion



*Celine-S-222 / Celine-S-225*

**Sink Faucet**

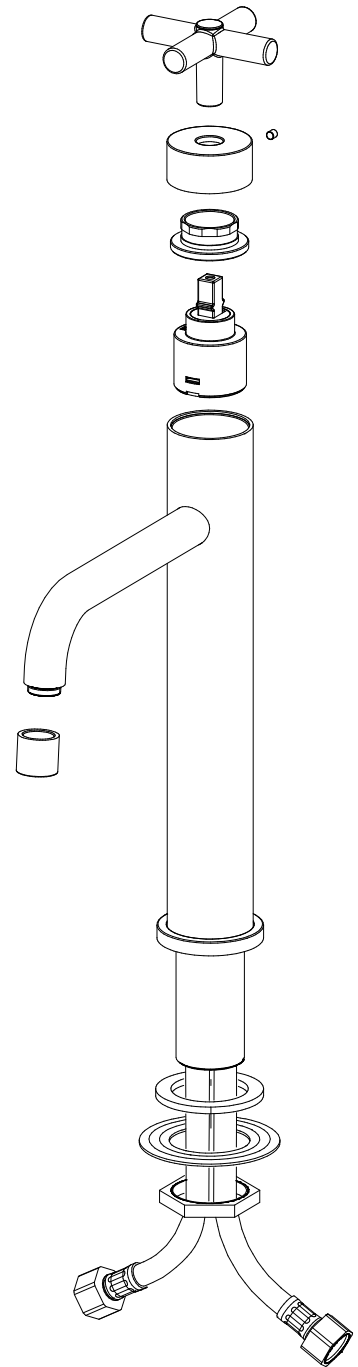
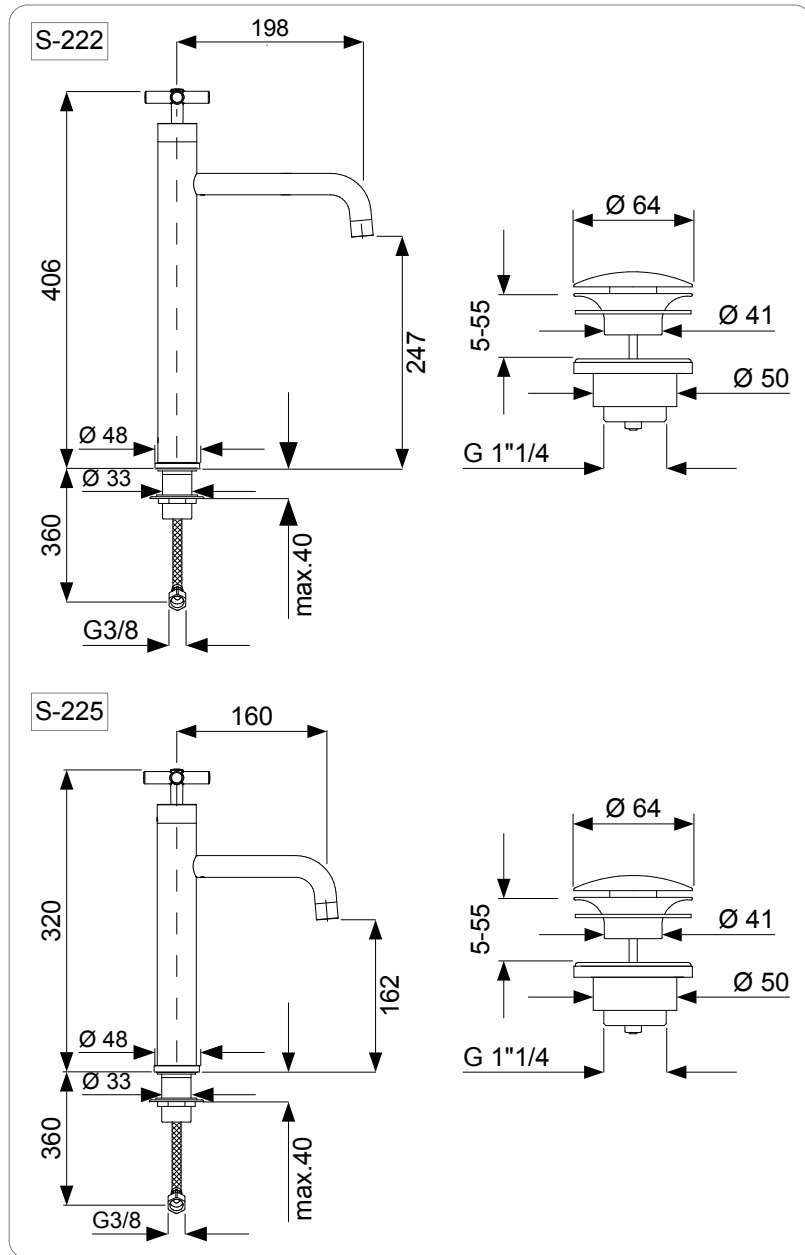
Installation & Care Manual  
Europe / International

# Celine-S-222 / Celine-S-225

## Sink Faucet

### PARTS LIST

 MEASUREMENTS: mm

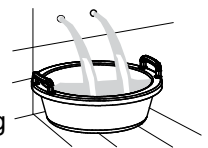


### SPECIFICATIONS

Recommended operational pressure .....	1-5 bar
Maximum test pressure .....	16 bar
Maximum hot water temperature .....	80 °C
Recommended temperature .....	50-60 °C
Pressure difference between hot and cold water .....	max. 1,5 bar
Water flow rate .....	8 L/min

### IMPORTANT NOTE

- Installation to be performed by qualified personnel
- Before connecting to mains, bleed the pipes to avoid damage.



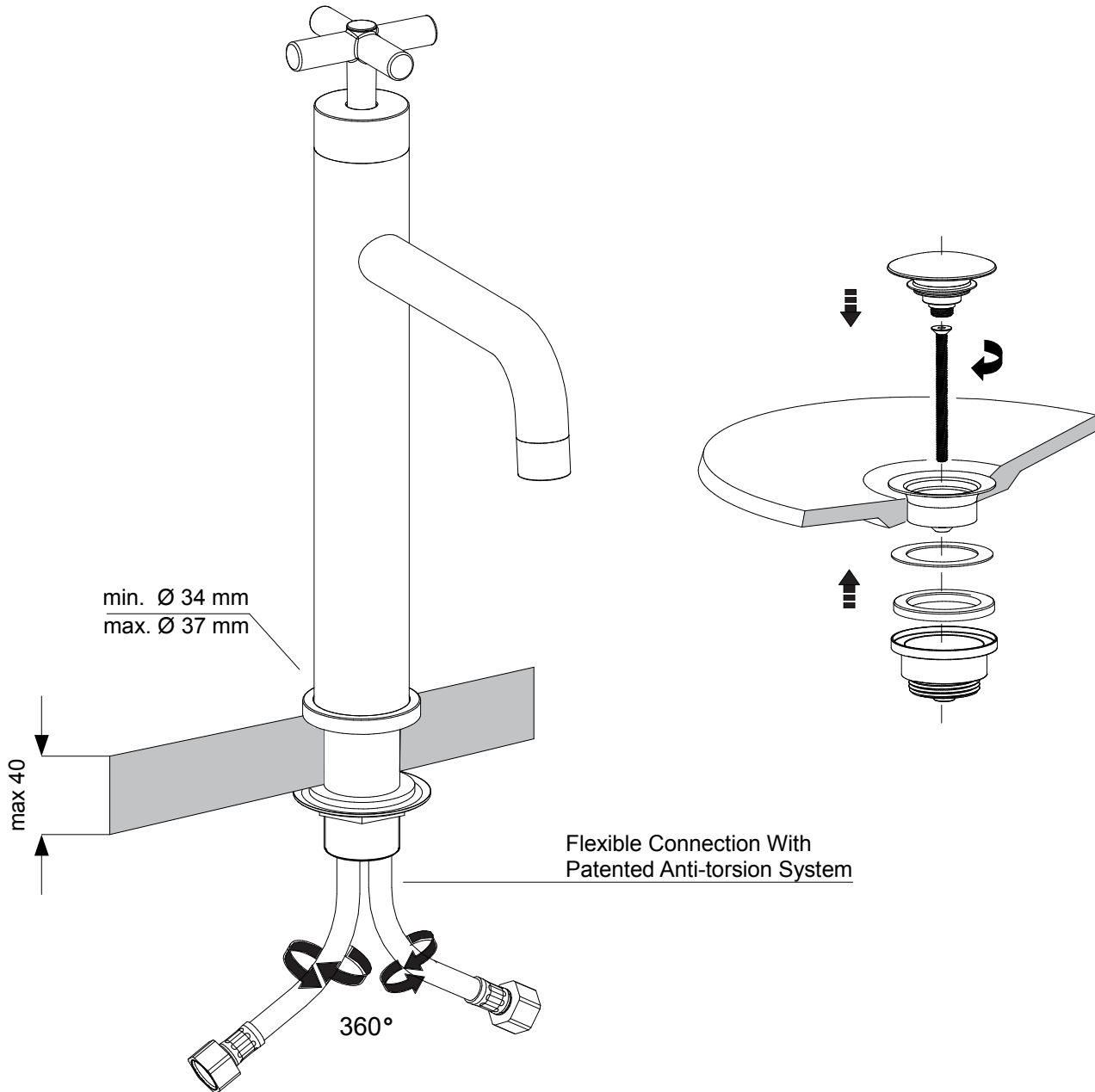
# Celine-S-222 / Celine-S-225

## Sink Faucet

### INSTALLATION SEQUENCE

aquatica®

Function : Form : Fashion



### CLEANING TIPS



For a **correct cleaning** of the product use only water and neutral soap, rinse and dry with a soft cloth. Don't use alcohol, solvents, detergents containing corrosive or acid substances (hydrochloric, formic, acetic and phosphoric acid), abrasive sponges and plugs with metallic thread.

aquatica®

Function : Form : Fashion

aquatica®

Function : Form : Fashion

